

# 深圳市天祥瑞实业有限公司

SHENZHEN TIANXIANGRUI INDUSTRIAL Co., Ltd

地址：深圳市宝安82区新湖路华丰科技园

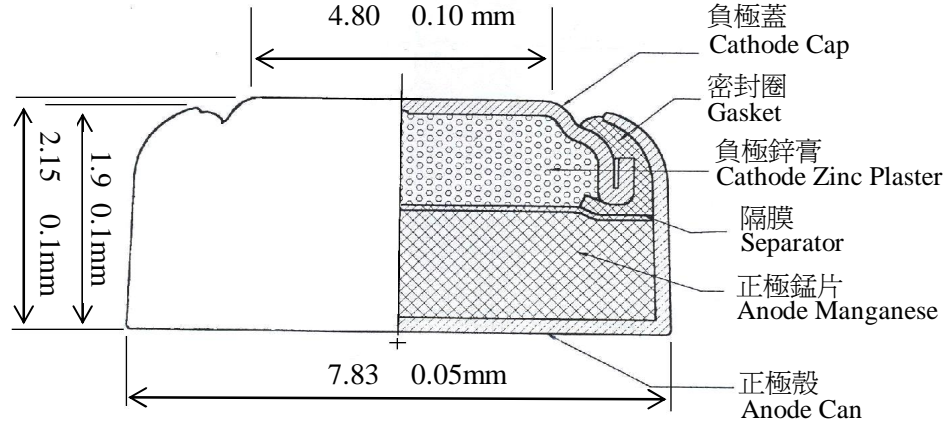
PC : 518000

ADD : HuaFengKeJIYuan , Xihu Road, Bao'an District, Shenzhen ,China

Tel:29563809/29563810 Fax:29657080 E-mail:txr4168@163.com Website: www.sztxr.com

## AG11/LR721 BUTTON CELL

### DIMENSIONS:



**NOMINAL VOLTAGE : 1.5 VOLT**

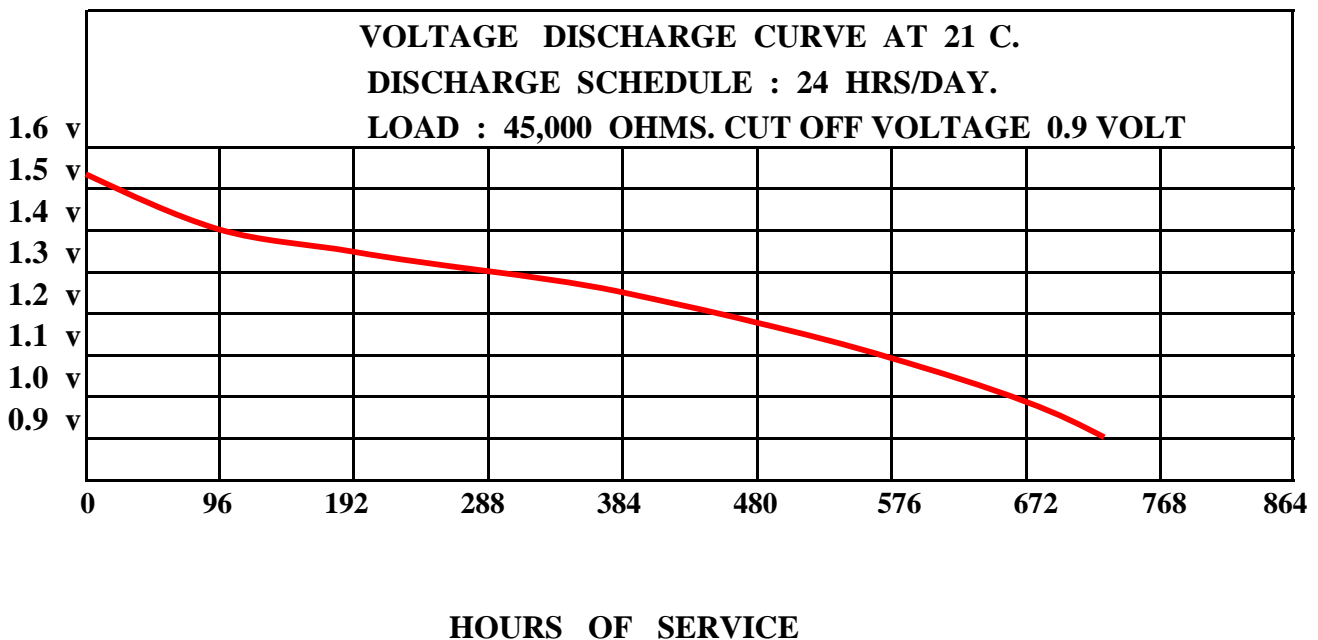
**APPROX. SERVICE CAPACITY : 20 mAh**

**APPROX. WEIGHT : 0.38 g**

**RATED AT 45,000 OHMS LOAD TESTED AT 21 C WITHIN 30 DAYS OF MANUFACTURE.**

**SYSTEM : ZINC/MANGANESE DIOXIDE.**

### ESTIMATED AVERAGE HOURS SERVICE AT 21 C



**HOURS OF SERVICE**