

深圳市天祥瑞实业有限公司

SHENZHEN TIANXIANGRUI INDUSTRIAL Co., Ltd

地址：深圳市宝安82区新湖路华丰科技园

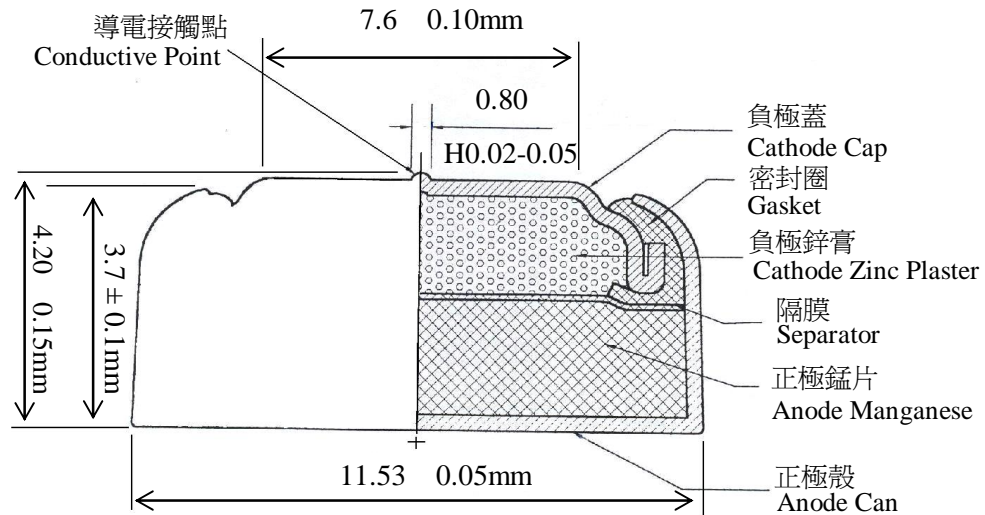
PC : 518000

ADD : HuaFengKeJiYuan , Xihu Road, Bao'an District, Shenzhen ,China

Tel:29563809/29563810 Fax:29657080 E-mail:txr4168@163.com Website: www.sztxr.com

AG12/LR43 BUTTON CELL

DIMENSIONS



NOMINAL VOLTAGE : 1.5 VOLT

APPROX. SERVICE CAPACITY : 115 mAh

APPROX. WEIGHT : 1.6 g

RATED AT 5,000 OHMS LOAD TESTED AT 21 C WITHIN 30 DAYS OF MANUFACTURE.

SYSTEM : ZINC/MANGANESE DIOXIDE

ESTIMATED AVERAGE HOURS SERVICE AT 21 C

