

深圳市天祥瑞实业有限公司

SHENZHEN TIANXIANGRUI INDUSTRIAL Co., Ltd

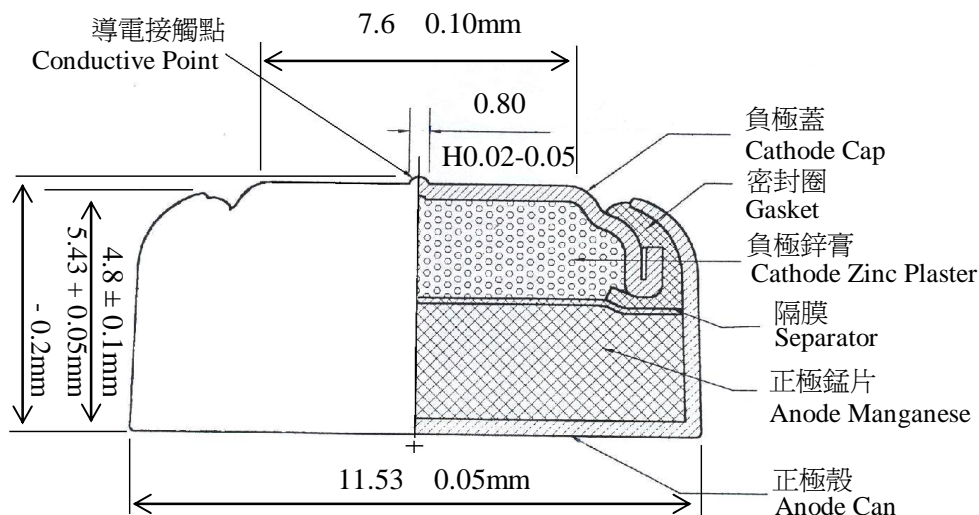
地址：深圳市宝安区82区新湖路华丰科技园 PC：518000

ADD：HuaFengKeJiYuan，Xinhu Road,Bao'an District, Shenzhen ,China

Tel:29563809/29563810 Fax:29657080 E-mail:txr4168@163.com Website: www.sztxr.com

AG13/LR44 BUTTON CELL

DIMENSIONS



NOMINAL VOLTAGE : 1.5 VOLT

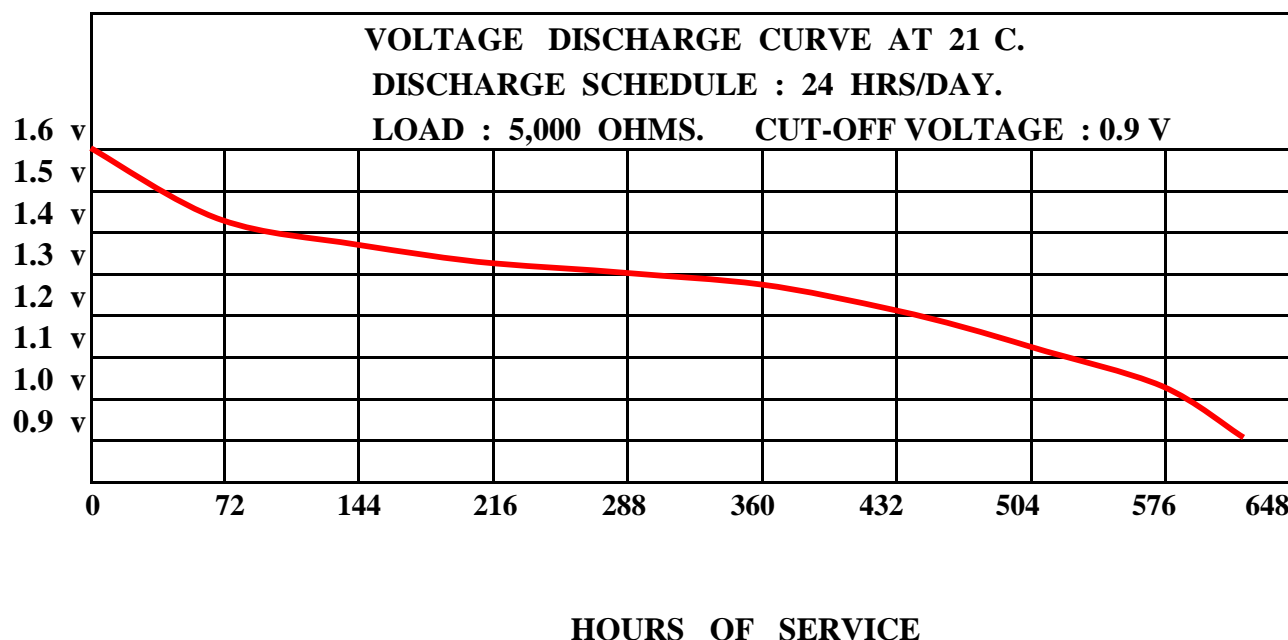
APPROX. SERVICE CAPACITY : 160 mAh

APPROX. WEIGHT : 2.0 g

RATED AT 5,000 OHMS LOAD TESTED AT 21 C WITHIN 30 DAYS OF MANUFACTURE.

SYSTEM : ZINC/MANGANESE DIOXIDE

ESTIMATED AVERAGE HOURS SERVICE AT 21 C



HOURS OF SERVICE