

深圳市天祥瑞实业有限公司

SHENZHEN TIANXIANGRUI INDUSTRIAL Co., Ltd

地址：深圳市宝安区82区新湖路华丰科技园

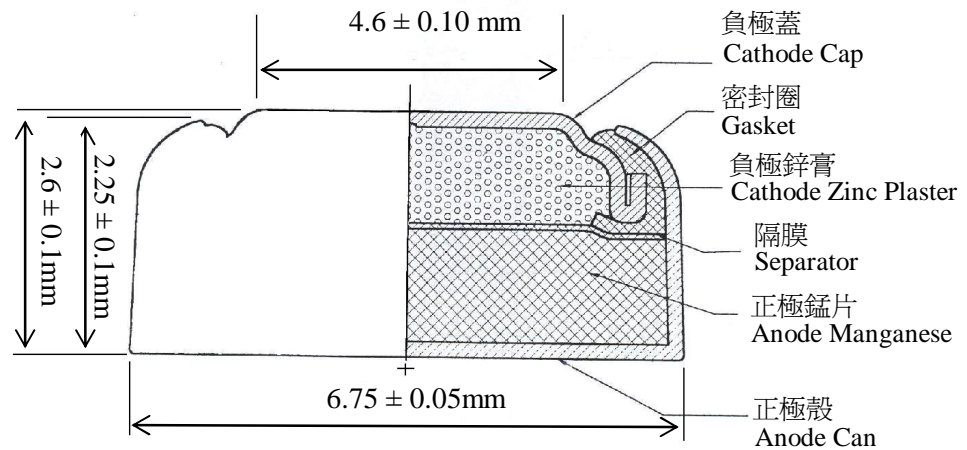
PC：518000

ADD：HuaFengKeJIYuan，Xinhu Road, Bao'an District, Shenzhen, China

Tel: 29563809/29563810 Fax: 29657080 E-mail: txr4168@163.com Website: www.sztxr.com

AG4/LR626 BUTTON CELL

DIMENSIONS:



NOMINAL VOLTAGE : 1.5 VOLT

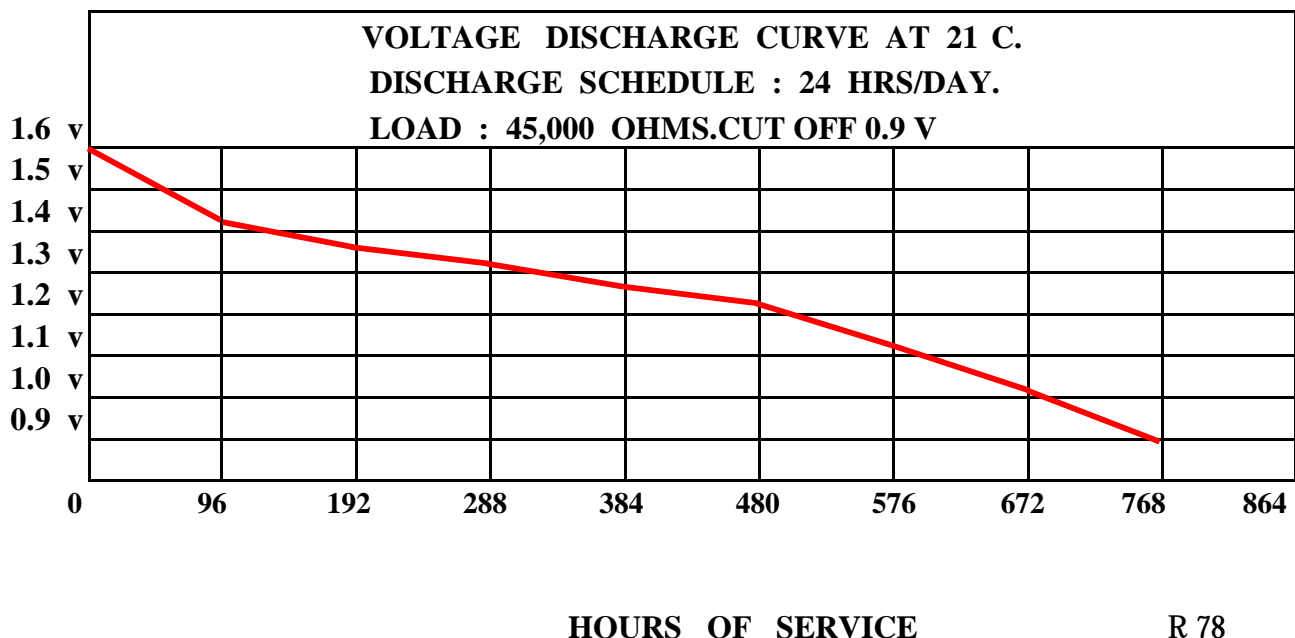
APPROX. SERVICE CAPACITY : 21 mAh

APPROX. WEIGHT : 0.34 g

RATED AT 45,000 OHMS LOAD TESTED AT 21 C WITHIN 30 DAYS OF MANUFACTURE.

SYSTEM : ZINC/MANGANESE DIOXIDE.

ESTIMATED AVERAGE HOURS SERVICE AT 21 C



HOURS OF SERVICE

R 78