

深圳市天祥瑞实业有限公司

SHENZHEN TIANXIANGRUI INDUSTRIAL Co., Ltd

地址：深圳市宝安82区新湖路华丰科技园

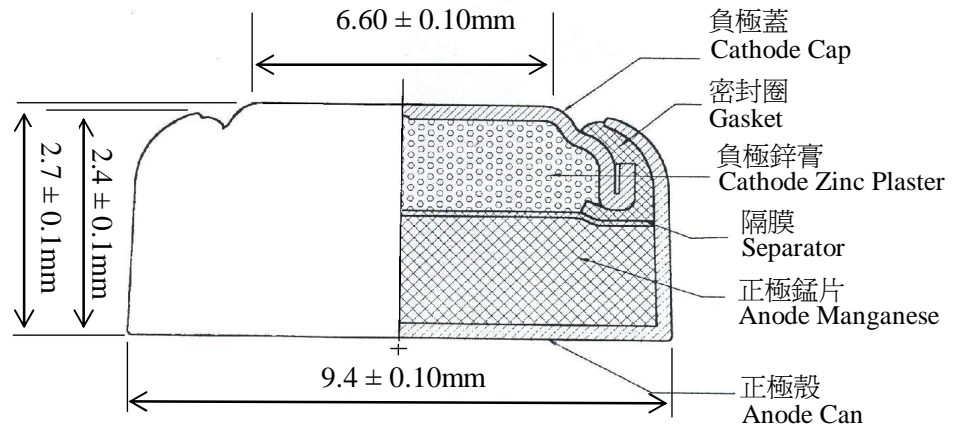
PC：518000

ADD：HuaFengKeJIYuan，Xinhu Road,Bao'an District, Shenzhen ,China

Tel:29563809/29563810 Fax:29657080 E-mail:txr4168@163.com Website: www.sztxr.com

AG7/LR927 BUTTON CELL

DIMENSIONS:



NOMINAL VOLTAGE : 1.5 VOLT

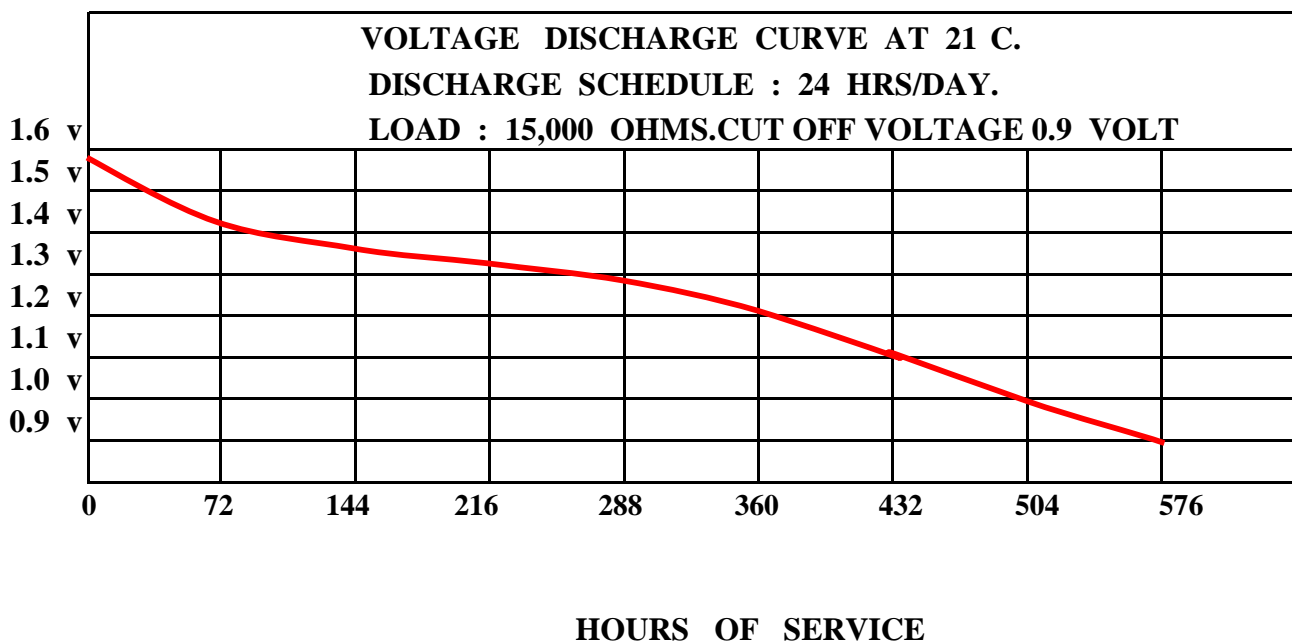
APPROX. SERVICE CAPACITY : 45 mAh

APPROX. WEIGHT : 0.70 g

RATED AT 15,000 OHMS LOAD TESTED AT 21 C WITHIN 30 DAYS OF MANUFACTURE.

SYSTEM : ZINC/MANGANESE DIOXIDE.

ESTIMATED AVERAGE HOURS SERVICE AT 21 C



HOURS OF SERVICE