

深圳市天祥瑞实业有限公司

SHENZHEN TIANXIANGRUI INDUSTRIAL Co., Ltd

地址：深圳市宝安82区新湖路华丰科技园

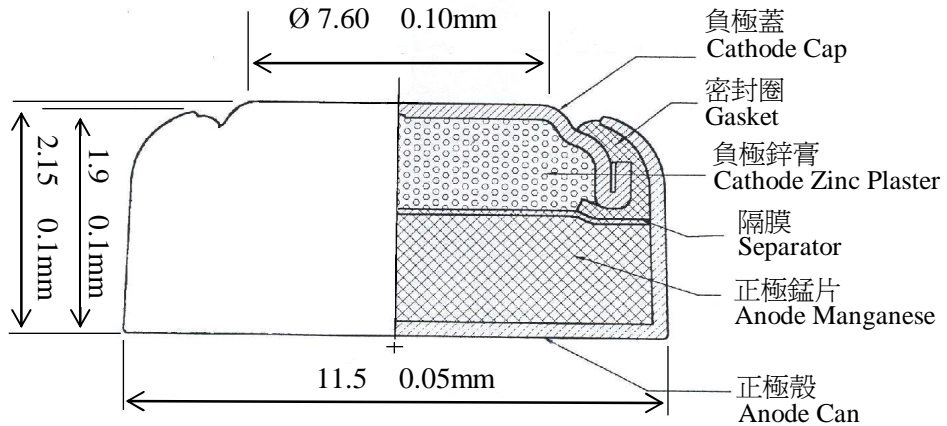
PC：518000

ADD：HuaFengKeJIYuan，Xinhu Road, Bao'an District, Shenzhen, China

Tel: 29563809/29563810 Fax: 29657080 E-mail: txr4168@163.com Website: www.sztxr.com

AG8/LR1120 BUTTON CELL

DIMENSIONS



NOMINAL VOLTAGE : 1.5 VOLT

APPROX. SERVICE CAPACITY : 45 mAh

APPROX. WEIGHT : 0.86 g

RATED AT 15,000 OHMS LOAD TESTED AT 21 C WITHIN 30 DAYS OF MANUFACTURE.

SYSTEM : ZINC/MANGANESE DIOXIDE.

ESTIMATED AVERAGE HOURS SERVICE AT 21 C

