

深圳市天祥瑞实业有限公司

SHENZHEN TIANXIANGRUI INDUSTRIAL Co., Ltd

地址：深圳市宝安区82区新湖路华丰科技园

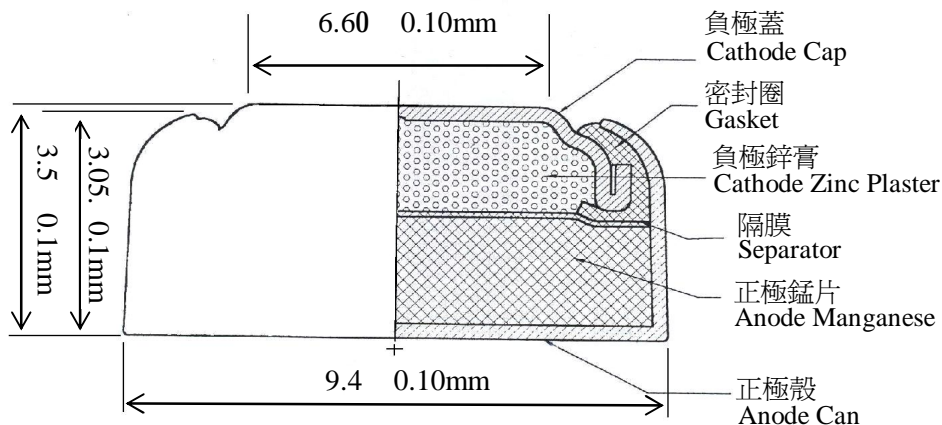
PC：518000

ADD：HuaFengKeJiYuan，Xinhu Road, Bao'an District, Shenzhen, China

Tel: 29563809/29563810 Fax: 29657080 E-mail: txr4168@163.com Website: www.sztxr.com

AG9/LR936 BUTTON CELL

DIMENSIONS:



NOMINAL VOLTAGE : 1.5 VOLT

APPROX. SERVICE CAPACITY : 62 mAh

APPROX. WEIGHT : 0.88 g

RATED AT 15,000 OHMS LOAD TESTED AT 21 C WITHIN 30 DAYS OF MANUFACTURE.

SYSTEM : ZINC/ MANGANESE DIOXIDE.

ESTIMATED AVERAGE HOURS SERVICE AT 21 C

